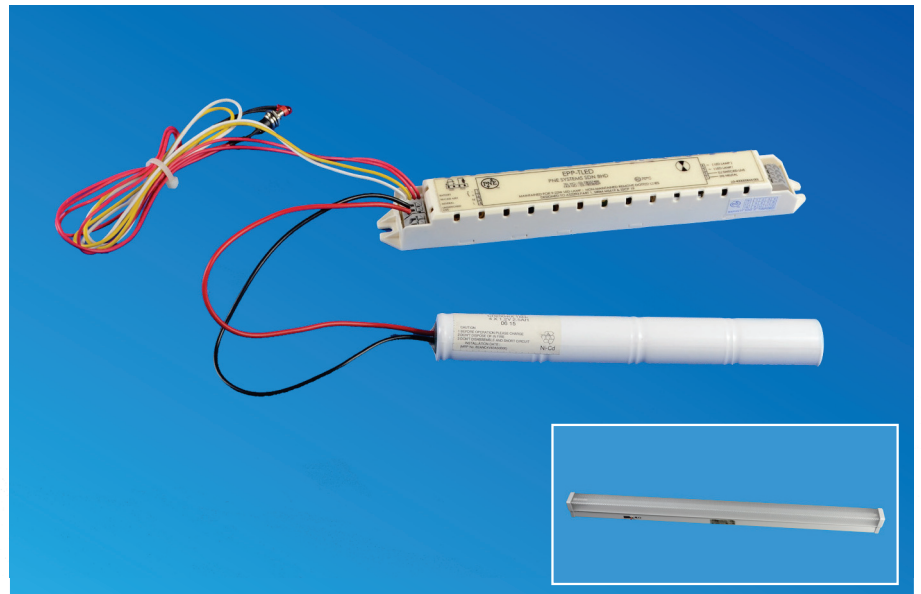




Self-Contained Emergency Luminaire

EPP-TLED (T8 LED tube)

EPP-TLED



Specifications

Model	➔ EPP-TLED.
Mode	➔ Maintained / Non-Maintained.
Weight	➔ ~1.2Kg (400gram).
Battery	➔ 4.8V 2.5AH Ni-Cad.
Housing	➔ PC + ABS + UV Plastic Fire Retardant.
Charger	➔ Constant current.
Dimensions	➔ 243mm (L) x 29mm (W) x 25mm (H) - Charger Module 26mm (Dia) x 200mm (L) - Battery.
Monitoing	➔ Red / Green “ON” to indicate charging Equipped with push test switch to simulate power failure.
Compliance	➔ SIRIM MS 619-2-22:2005 MS IEC 60598-1:2012.
Lamp Type	➔ T8-LED Tube.
Power	➔ 0.770 W.
Lumen Output	➔ 435 Im.
CCT	➔ 6500K.
CRI	➔ 85.
Input Voltage	➔ 240V±10% (50Hz).
Back up Duration	➔ 3 hours.
Battery Protection	➔ Low voltage cut-off to prevent over discharging.
Recharge Period	➔ 16-24 hours.
Ingress of Protection	➔ IP-20.
Operating Temperature	➔ 0° to 65 °C.

For further enquiries, please contact :-

PNE SYSTEMS SDN. BHD. (263861 D)

No.3, Jalan SS26/13,
Taman Mayang Jaya 47301, Petaling Jaya,
Selangor Darul Ehsan, Malaysia

Tel : 603-78037488 (Hunting)

Fax : 603-78038509

E-mail : sales@pnesys.com.my

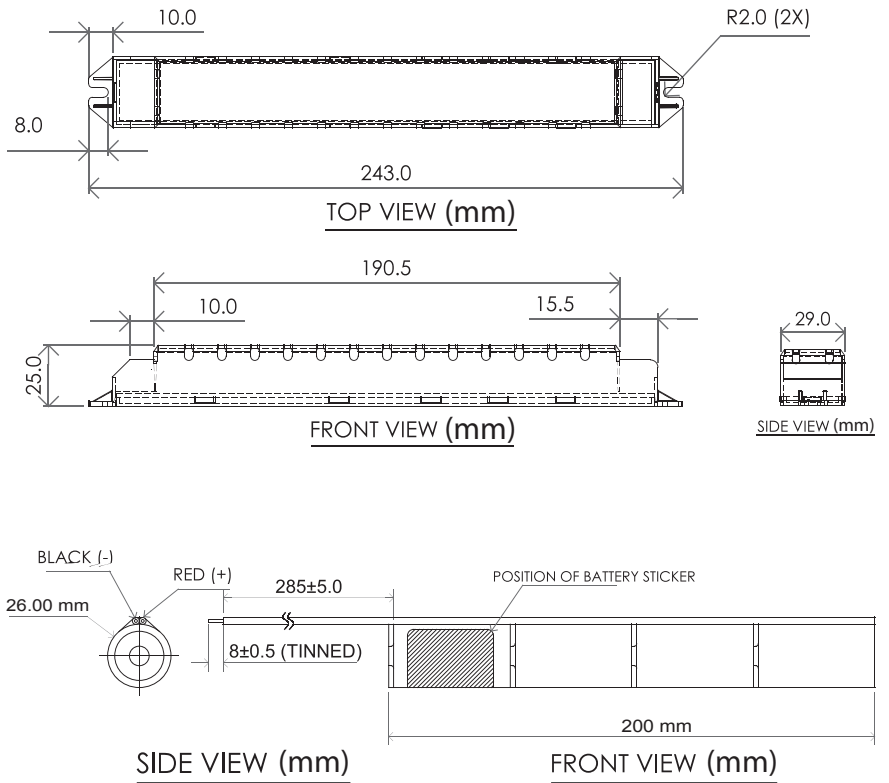
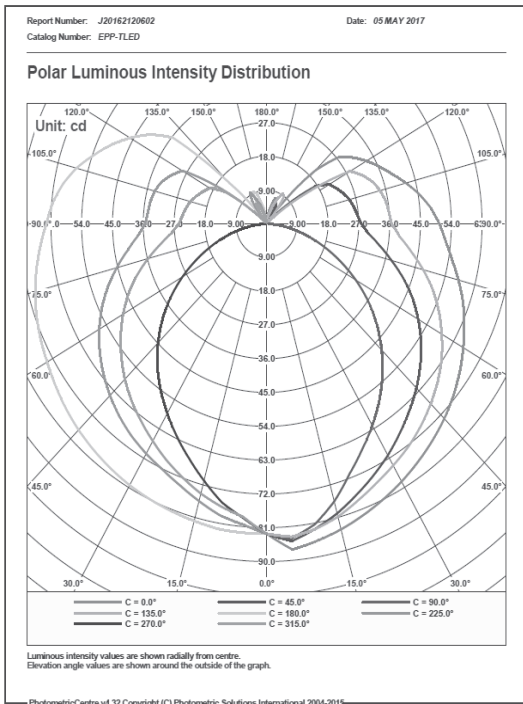
Website : www.pnesys.com.my



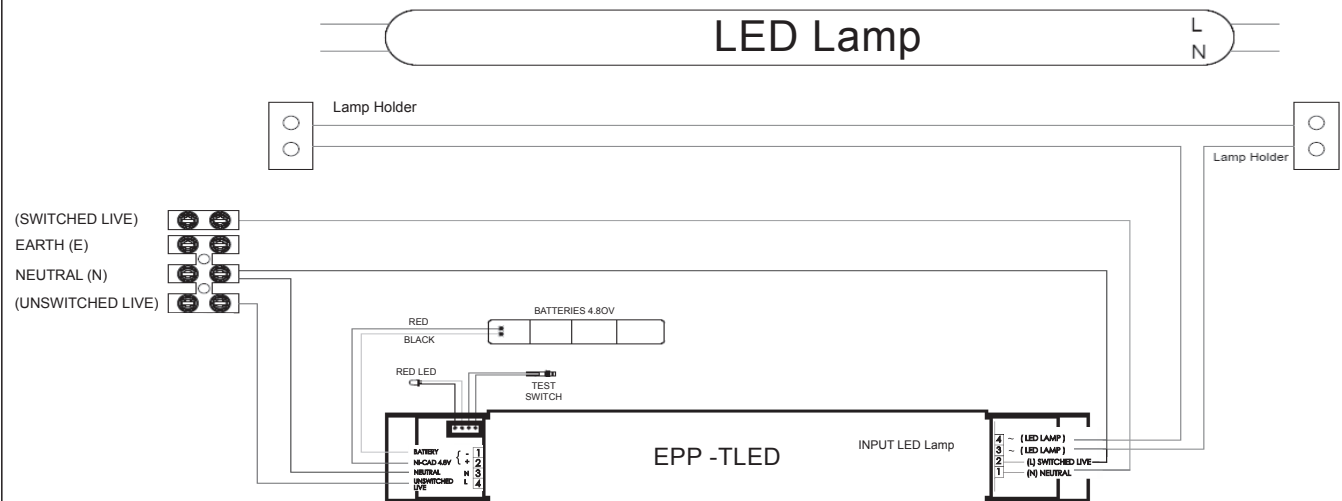
Model : EPP-TLED

Emergency Power Pack Module for T8 LED Tube

Dimension



WIRING DIAGRAM EPP-TLED LIGHT FITTING 1 LAMP



For further enquiries, please contact :-

PNE SYSTEMS SDN. BHD. (263861 D)

No.3, Jalan SS26/13,
Taman Mayang Jaya 47301, Petaling Jaya,
Selangor Darul Ehsan, Malaysia

Tel : 603-78037488 (Hunting)

Fax : 603-78038509

E-mail : sales@pnesys.com.my

Website : www.pnesys.com.my