



# Self-Contained Emergency Luminaire

## Super Bright LEDs (Surface Mount) – weather proof

**PEJ-108**



### Specifications

Model .....	➔ PEJ-108.
Light Source .....	➔ 18 nos Super Bright LED (SMD).
Mode .....	➔ Non-maintained.
Weight .....	➔ 0.8 Kg.
Battery .....	➔ 3.6V 1.0AH Ni-Cad.
Housing .....	➔ Injection moulded fire retardant ABS housing & acrylic diffuser.
Charger .....	➔ Constant current.
Mounting .....	➔ Surface mounting direct to wall or ceiling.
Dimension .....	➔ 355mm (L) x 75mm (H) x 120mm (W).
Back Up Duration .....	➔ 3 hours.
Input Voltage .....	➔ 240v +/- 10% (50Hz).
Recharge Period .....	➔ 16-24 hours.
Monitoring .....	➔ Green or Red LED “ON” indicates charging.
Compliance .....	➔ SIRIM MS 619-2-22 : 2005. MS IEC 60598-1 : 2012.
Battery Protection .....	➔ Low voltage cut off to prevent over discharging. Equipped with push test switch to simulate power failure.
Ingress Of Protection .....	➔ IP-65.
Operating Temperature .....	➔ 0 °C To 65 °C.
Ambient Temperature .....	➔ 40 °C.
Rated Lumen Output .....	➔ 70 lm.
Input Power .....	➔ 1.20 watt.
C.C.T .....	➔ 11752.
C.R.I .....	➔ Ra 80.

For further enquiries, please contact :-  
**PNE SYSTEMS SDN. BHD.** (263861 D)  
No.3, Jalan SS26/13, Taman Mayang Jaya  
47301, Petaling Jaya, Selangor Darul Ehsan.  
Tel : (6)03-78037488 (Hunting)  
Fax : (6)03-78038509  
E-mail : sales@pnesys.com.my  
Website : www.pnesys.com.my

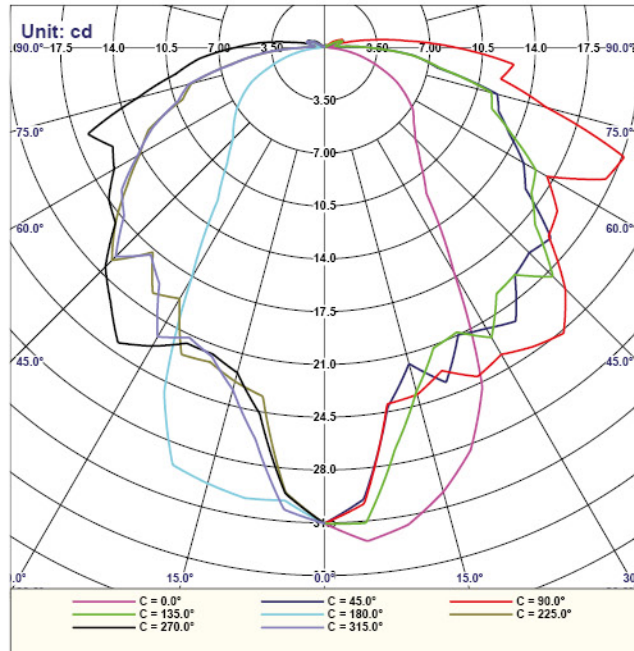


# PEJ-108 EMERGENCY LIGHT

Report Number: (JOB NO : J20182120049)  
Catalog Number: PEJ 108

Date: 14 MARCH 2018

## Polar Luminous Intensity Distribution

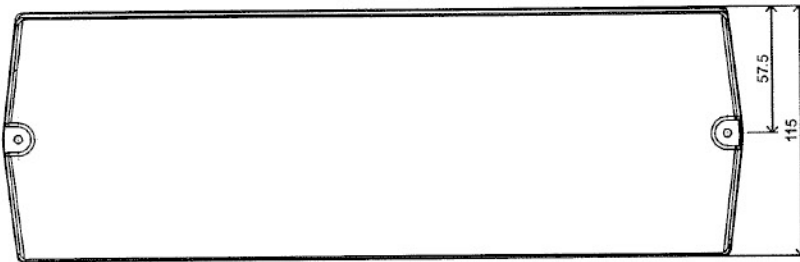


Page 3 of 9

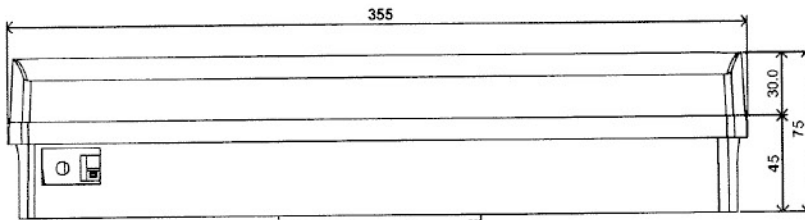
PhotometricCentre v4.32 Copyright (C) Photometric Solutions International 2004-2015



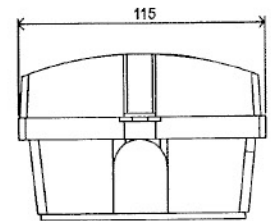
SIRIM QAS International Sdn Bhd  
No.1, Persiaran Dato' Menteri, P.O.BOX 7035, Section 2  
40700 Shah Alam, Selangor Darul Ehsan, Malaysia.  
Tel: +603 5544 6253  
Fax: +603 5544 6272  
www.sirim-qas.com.my



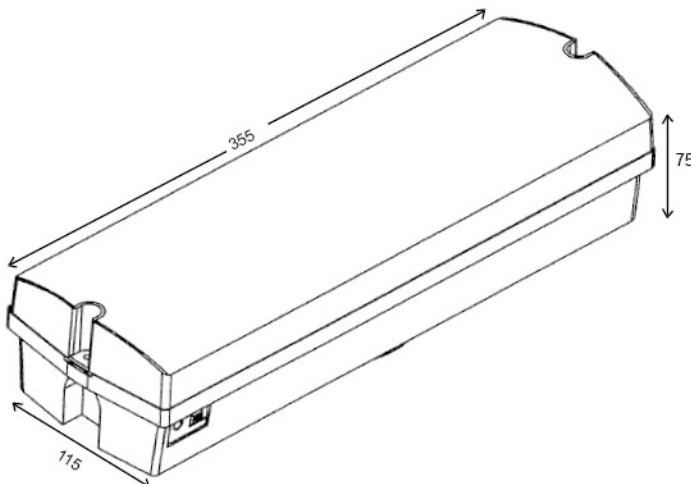
TOP VIEW (in mm)



FRONT VIEW (in mm)



SIDE VIEW (in mm)



For further enquiries, please contact :-

**PNE SYSTEMS SDN. BHD.** (263861 D)

No.3, Jalan SS26/13,  
Taman Mayang Jaya 47301, Petaling Jaya,  
Selangor Darul Ehsan, Malaysia

Tel : 603-78037488 (Hunting)

Fax : 603-78038509

E-mail : sales@pnesys.com.my

Website : www.pnesys.com.my