



Self-Contained Emergency KELUAR Sign

PEX 215F (WP)

LED Keluar sign c/w weather-proof housing

PEX 215F (WP)



Specifications

- Model ➔ PEX 215F (WP) (Weather-proof).
- Mode ➔ Maintained.
- Weight ➔ 1.64 Kg.
- Battery ➔ 2 x 1.2V / 1.7AH (NiCad / NiMH).
- Construction ➔ Injection moulded acrylic diffuser.
Injection moulded GRP base.
Vinyl stick-on signage.
- Ingress of protection ➔ IP 65.
- Charger ➔ Constant current.
- Mounting ➔ Surface mounting direct to wall or ceiling.
- Dimension ➔ 670 mm (L) x 175 mm (W) x 105 mm (H).
- Monitoring ➔ Red LED indicating healthy supply and charging.
- Light source ➔ 18 nos super bright LED (SMD).
- Input voltage ➔ 240 V +/- 10% 50/60 Hz.
- Recharge period ➔ 16 - 24 Hours.
- Back up duration ➔ 3 Hours.
- Power consumption ➔ < 5W.
- Operating temperature ➔ 0 °C to 65 °C.

For further enquiries, please contact :-
PNE SYSTEMS SDN. BHD. (263861 D)
 No.3, Jalan SS26/13,
 Taman Mayang Jaya 47301, Petaling Jaya,
 Selangor Darul Ehsan, Malaysia
 Tel : 603-78037488 (Hunting)
 Fax : 603-78038509
 E-mail : sales@pnesys.com.my
 Website : www.pnesys.com.my

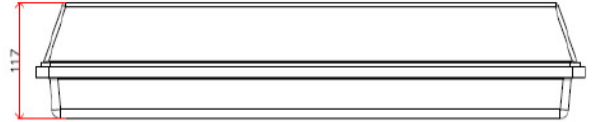
Note : Due to continuous development and improvement, our company reserves the right to change specifications without notice.



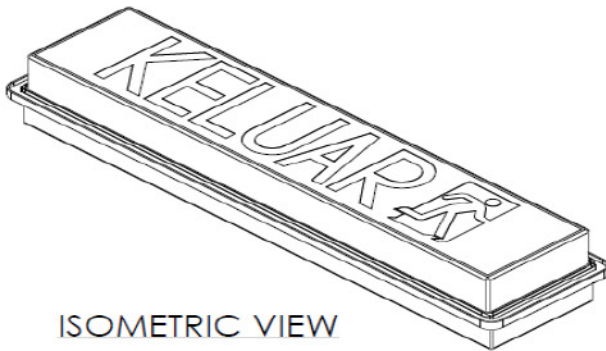
PEX 215F WP (WEATHER-PROOF) KELUAR SIGN



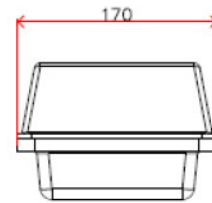
TOP VIEW



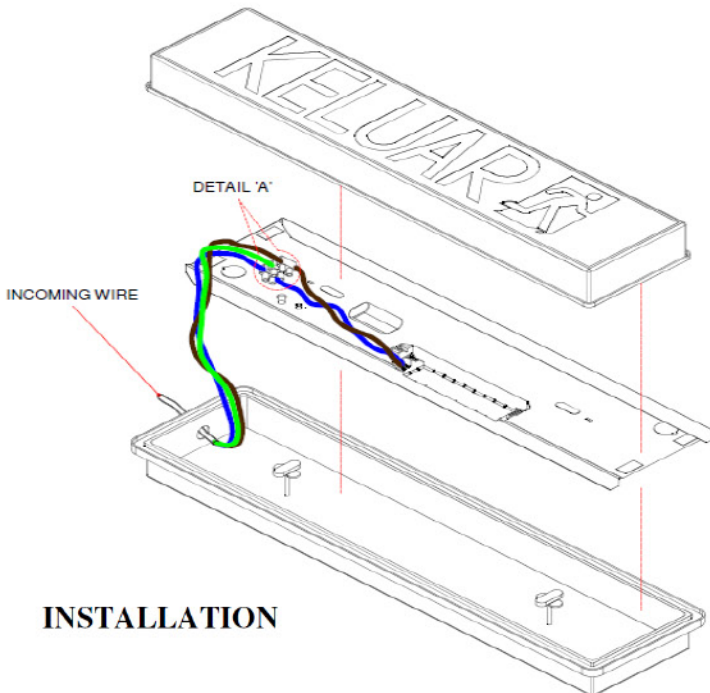
FRONT VIEW



ISOMETRIC VIEW



SIDE VIEW



For further enquiries, please contact :-

PNE SYSTEMS SDN. BHD. (263861 D)

No.3, Jalan SS26/13,
Taman Mayang Jaya 47301, Petaling Jaya,
Selangor Darul Ehsan, Malaysia

Tel : 603-78037488 (Hunting)

Fax : 603-78038509

E-mail : sales@pnesys.com.my

Website : www.pnesys.com.my