



Self-Contained Emergency Luminaire



Emergency power pack for fluorescent lamp
(T5 - 14W / 28W)

EPP20/40-DCE-T5S



Specifications

MODEL	➊	EPP20/40-DCE-T5S
MODE	➋	Maintained / Non-maintained
WEIGHT	➌	680 grams
BATTERY	➍	High temperature rated sealed Ni-Cad 14W - 5x1.2V/2.5AH / 28W - 5 x 1.2V/4.0AH
HOUSING	➎	PC + ABS
CHARGER	➏	Constant current
DIMENSION	➐	243mm (L) x 29mm (W) x 25mm (H) - charger module
MONITORING	➑	Red L.E.D. - indicates charging Equipped with momentary switch to simulate power failure
COMPLIANCE	➒	SIRIM MS 619 : Part 102 : Sect.102.22 : 1985 (P) MS IEC 60598-1 : 2003
Tested with fitting		
LIGHT SOURCE	➓	T5 - 14W / 28W fluorescent lamp
INPUT VOLTAGE	➔	240V +/- 10% 50Hz
RECHARGE PERIOD	➕	20 - 24 hours
BACK-UP DURATION	➖	3 hours +/- 10%
BATTERY PROTECTION	➗	Low voltage cut-off to prevent battery from over discharging
POWER CONSUMPTION	➘	< 10 VA
OPERATING TEMPERATURE	➙	0° C to 65° C

For further enquiries, please contact :-

PNE SYSTEMS SDN. BHD. (263861 D)

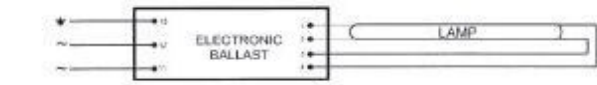
No.3, Jln SS26/13,
Tmn Mayang Jaya 47301, Petaling Jaya,
Selangor, D.E. Malaysia

Tel : 603-78037488 (Hunting)

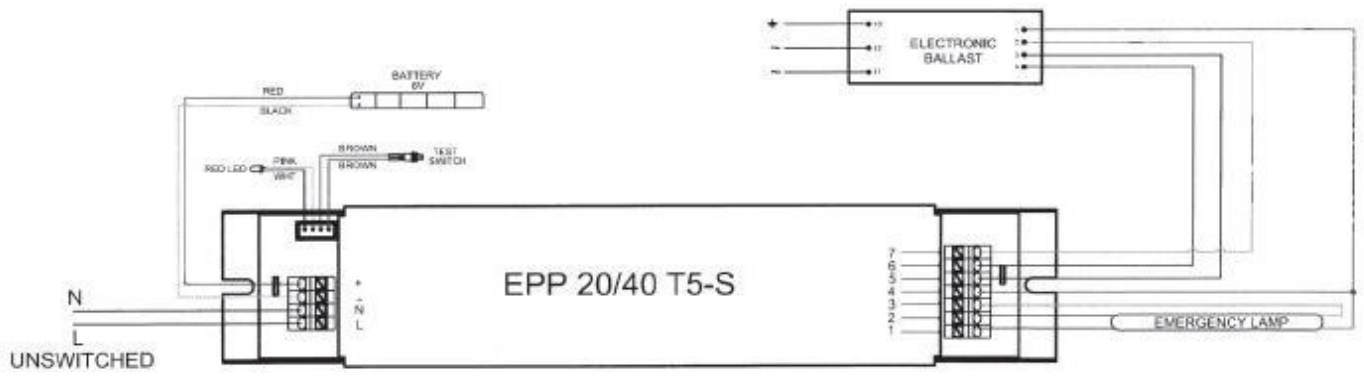
Fax : 603-78038509

E-mail : sales@pnesys.com.my

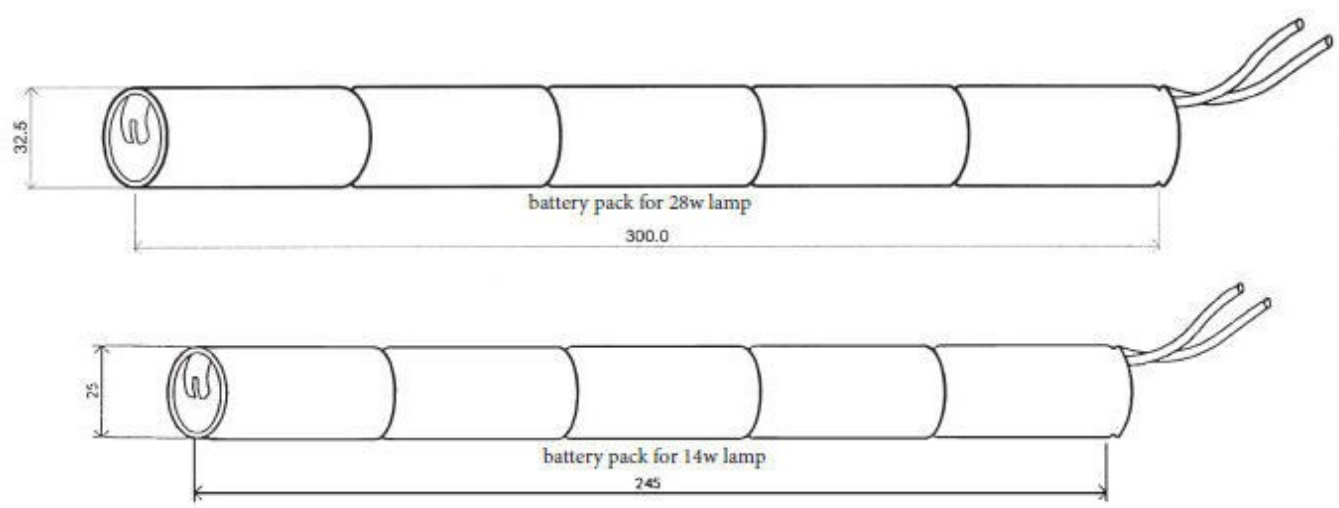
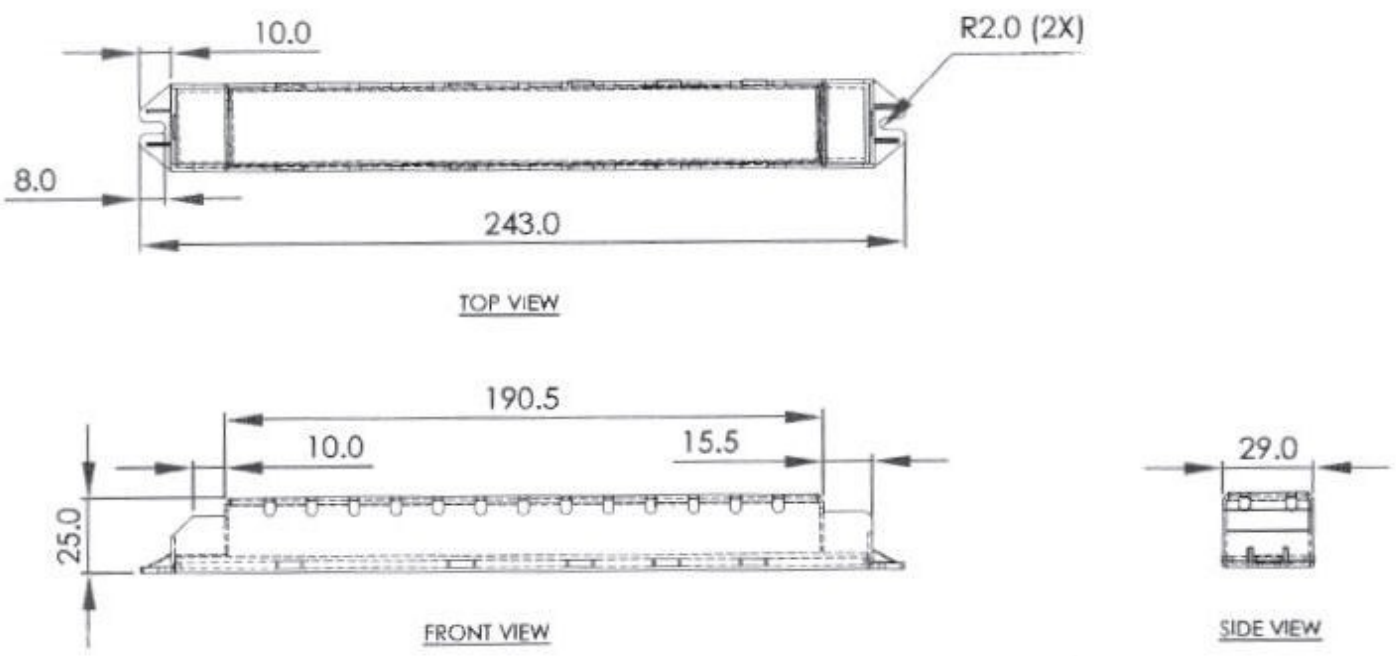
Website : www.pnesys.com.my



WIRING DIAGRAM FOR
ELECTRONIC BALLAST X 1 LAMP



WIRING DIAGRAM EPP 20/40 T5-S TO
ELECTRONIC BALLAST X 1 LAMP



MODEL : EPP20/40-DCE-T5S