



Self-Contained Emergency KELUAR Sign

PEX 215F (WP) LED Keluar sign (IP 65)

PEX 215F (WP)



Specifications

- Model ➔ PEX 215F (WP).
- Mode ➔ Maintained.
- Weight ➔ 1.64 Kg.
- Battery ➔ 2 x 1.2V / 1.7AH (NiCd).
- Construction ➔ Injection moulded acrylic / polycarbonate diffuser.
Injection moulded GRP base.
Vinyl stick-on signage.
- Ingress of protection ➔ IP 65.
- Charger ➔ Constant current.
- Mounting ➔ Surface mounting direct to wall or ceiling.
- Dimension ➔ 670 mm (L) x 175 mm (W) x 105 mm (H).
- Monitoring ➔ Red LED indicating healthy supply and charging.
- Light source ➔ 18 nos super bright LED (SMD).
- Input voltage ➔ 240 V +/- 10% 50/60 Hz.
- Compliance ➔ SIRIM MS 983:2004. MS 619-2-22:2005
MS IEC 60598-1:2012
Jabatan Bomba dan Penyelamat Malaysia certified.
- Recharge period ➔ 16 - 24 Hours.
- Back up duration ➔ 3 Hours.
- Power consumption ➔ < 5W.
- Operating temperature ➔ 0 °C to 65 °C.

For further enquiries, please contact :-
PNE SYSTEMS SDN. BHD. (263861 D)
 No.3, Jalan SS26/13,
 Taman Mayang Jaya 47301, Petaling Jaya,
 Selangor Darul Ehsan, Malaysia
 Tel : 603-78037488 (Hunting)
 Fax : 603-78038509
 E-mail : sales@pnesys.com.my
 Website : www.pnesys.com.my

Note : Due to continuous development and improvement, our company reserves the right to change specifications without notice.

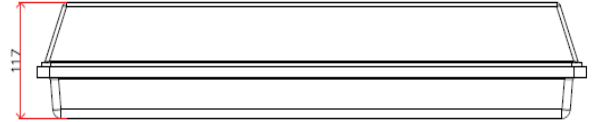




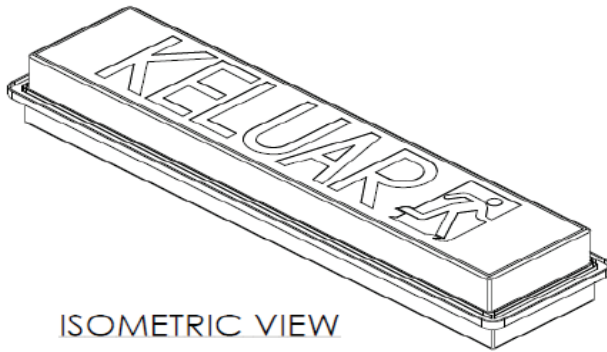
PEX 215F WP (IP 65 LED KELUAR SIGN)



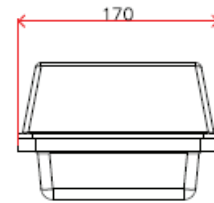
TOP VIEW



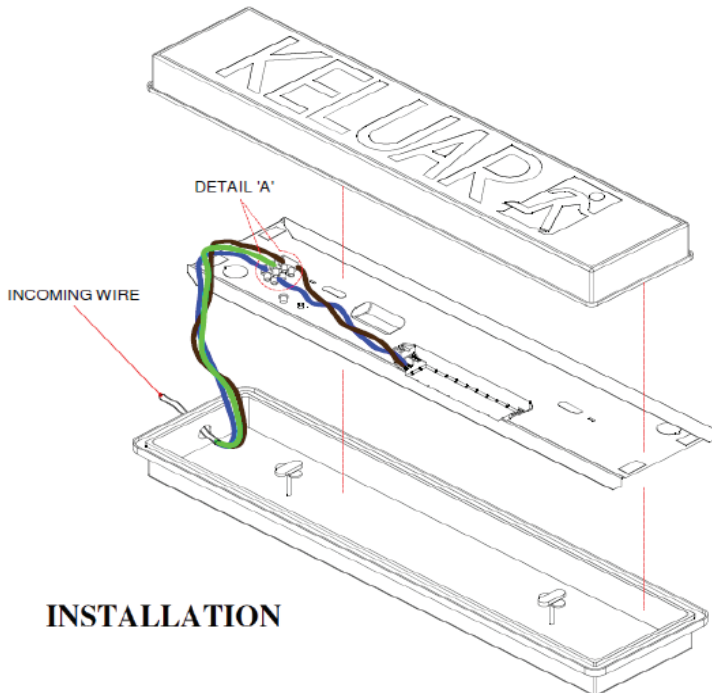
FRONT VIEW



ISOMETRIC VIEW



SIDE VIEW



INSTALLATION

For further enquiries, please contact :-

PNE SYSTEMS SDN. BHD. (263861 D)

No.3, Jalan SS26/13,
Taman Mayang Jaya 47301, Petaling Jaya,
Selangor Darul Ehsan, Malaysia

Tel : 603-78037488 (Hunting)

Fax : 603-78038509

E-mail : sales@pnesys.com.my

Website : www.pnesys.com.my