



# Self-Contained Emergency Luminaire PTH-311 (1.0W Power LED)

## PTH-311



### Specifications

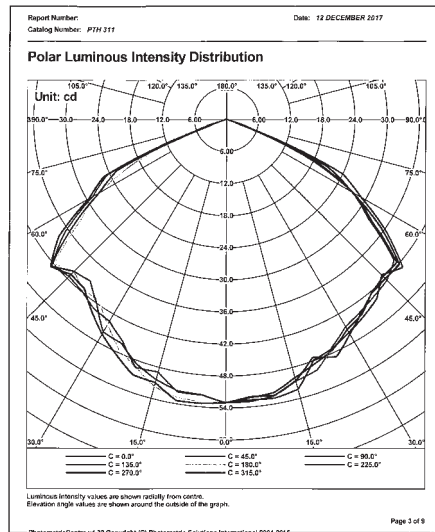
Model.....	➔	PTH-311.
Mode.....	➔	Non-maintained.
Weight.....	➔	320 grams.
Battery.....	➔	2.4V 1.7AH Ni-cad.
Housing .....	➔	Injection moulded fire retardant, UV stabilize ABS Housing.
Charger .....	➔	Constant Current.
Mounting .....	➔	Recess mounted on ceiling.
Dimension .....	➔	75 mm (L) x 88 mm (W) x 95 mm (Diameter).
Monitoring .....	➔	Green / Red LED "ON" to indicate charging. Equipped with push test switch to simulate power failure.
Compliance .....	➔	SIRIM MS 619-2-22:2005. MS IEC 60598-1:2012. Jabatan Bomba dan Penyelamat Malaysia certified.
Light Source.....	➔	1.0W high lumen output LED.
Input Voltage .....	➔	240V +/- 10% 50Hz.
Recharge Period .....	➔	16 - 24 Hours.
Back Up Duration .....	➔	3 Hours.
Battery Protection.....	➔	Low voltage cut-off to prevent over discharging.
Power Consumption.....	➔	< 5W.
Ingress of Protection.....	➔	IP - 20.
Operating Temperature .....	➔	0 °C to 65 °C.
Lumen .....	➔	152.50 lm
Power .....	➔	4.584 W
C.C.T .....	➔	5892
C.R.I .....	➔	74

For further enquiries, please contact :-  
**PNE SYSTEMS SDN. BHD.** (263861 D)  
 No.3, Jalan SS26/13, Taman Mayang Jaya  
 47301, Petaling Jaya, Selangor Darul Ehsan.  
 Tel : (6)03-78037488 (Hunting)  
 Fax : (6)03-78038509  
 E-mail : sales@pnesys.com.my  
 Website : www.pnesys.com.my

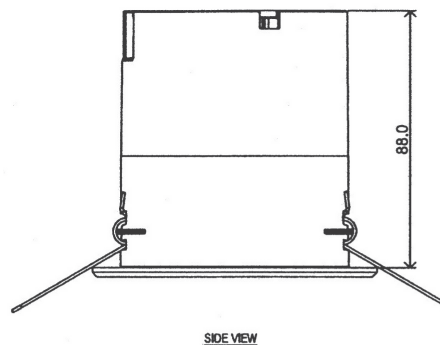
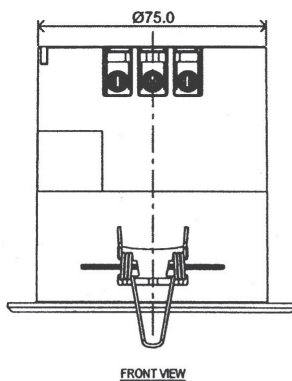
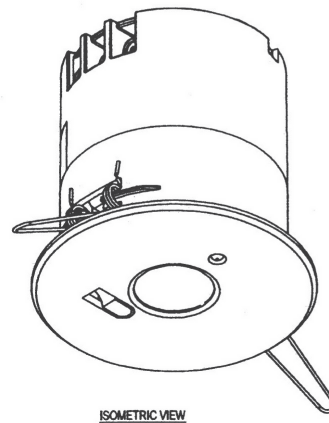
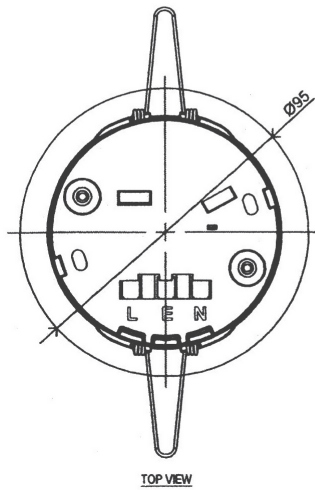
# MODEL PTH-311

## Self-Contained Emergency Luminaire

### 1.0W Power LED



SIRIM QAS International Sdn Bhd  
 No.1, Persiaran Suria Marlin, P.O. BOX 7035, Section 2  
 47100 Shah Alam, Selangor Darul Ehsan, Malaysia.  
 Tel: +603 5544 6253  
 Fax: +603 5544 6272  
 www.sirim-qas.com.my



For further enquiries, please contact :  
**PNE SYSTEMS SDN. BHD.** (263861 D)  
 No. 3, Jalan SS 26/13,  
 Taman Mayang Jaya, 47301 Petaling Jaya,  
 Selangor Darul Ehsan, Malaysia.  
 Tel : 03-7803 7488 (Hunting)  
 Fax: 03-7803 8509  
 E-mail: sales@pnesys.com.my



Note : Due to continuous development and improvement, our company reserves the right to change specification without notice.